

ORWAK

BOTTLE BREAKER MEGA JAWS



BB04

VOLUME FEED BOTTLE BREAKER SUITABLE FOR HIGH VOLUME GLASS BOTTLE DISPOSAL. IDEAL FOR BARS, HOTELS AND RESTAURANTS!

The BB04 or 'Mega Jaws' is a stand-alone bottle breaker that will generate savings on labor, storage space and on waste glass disposal costs. Simple and safe to use! The cullet is collected in a 32 gal 2 wheeled trash cart inside the machine. The cart holds the equivalent of 680 bottles of broken glass!



Safety



Orwak benefits

MORE PRODUCTIVE USE OF TIME

Less time spent on waste handling, more time for your core activities!

MORE SPACE & ORDER

Our equipment rapidly minimizes the space the waste takes up, keeping aisles free and tidy.

LESS COSTS, MORE VALUE

More compaction = less waste volume to transport. Fewer collections required results in lower transportation costs and reduced CO₂ emissions. Sorting at source yields a higher quality of waste material for recycling.



Why the bottle breaker?

- + Reduces glass disposal costs
- + Frees up space otherwise used to store empty bottles
- + Reduces the workload for staff, no more segregating empty glass bottles
- + Cullet is reprocessible into new bottles



ORWAK

BOTTLE BREAKER

MEGA JAWS

Effective Waste Glass Breaker

BB04/MEGA JAWS IS OPTIMIZED FOR:

GLASS

+ Empty glass bottles

Developed for use in the hospitality industry

HUGE APPETITE FOR WASTE GLASS

'Mega Jaws' waste glass bottle breaker is typically used back-of-house, where its durable powder coat finish makes it suitable for use both indoors and outdoors. It reduces waste glass bottle volume by up to 80 % and will break up to 4000 waste glass bottles per hour!

TIRED OF THE BOTTLE CLINKING NOISE?

Breaking waste glass bottles eliminates bottle clinking noise pollution (a major problem for hotels), which occurs when tipping empty bottles on collection. It is a very simple, safe and convenient way to handle and dispose of glass bottles.

SIGNIFICANT COST REDUCTION

It dramatically reduces the labor cost associated with managing waste bottles, the frequency of glass collections required and the overall waste glass disposal costs for your business.



Simultaneous feed of multiple bottles



The broken glass/ cullet is safely collected in a 32 gal wheeled cart inside the machine.

SMART DESIGN - VALUABLE FEATURES

- + Reduces bottle volume by 5:1 or 80 %.
- + Breaks bottles up to 0.8 gal (3 L) in volume
- + Cullet collected in tote box holding up to 680 bottles equivalent of broken glass
- + Durable powder coat finish
- + Mobile for easy movement
- + Multiple glass bottles are fed simultaneously
- + Optional full bin warning system
- + CE certified product

DIMENSIONS & SPECIFICATIONS

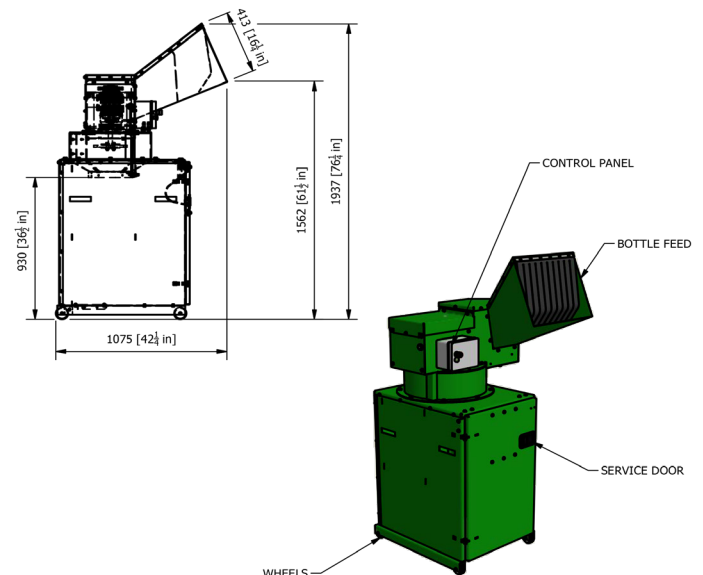
DIMENSIONS BBO1/'BABY JAWS'

WIDTH	DEPTH	HEIGHT	WIDE CHUTE
27"	42 1/2"	76 1/4"	21" x 9 1/2"

TECHNICAL SPECIFICATIONS

VOLUME REDUCTION	OPERATING NOISE	OPERATING POWER
5:1 or 80 %	72 dB (A)	Single phase 115 V, 60 Hz, 16 A

We reserve the right to make changes to specifications without prior notice.



Design • Installation • Service • Balers • Hopper Doors
Chute Cleaning • Chute Installation • Compactors
Shredders • Turn Key Systems

800-877-7475

www.PCS-Green.com

24 Hour Service

NYC DCA# 2011389 • NJ DCA# 13VH06573600

